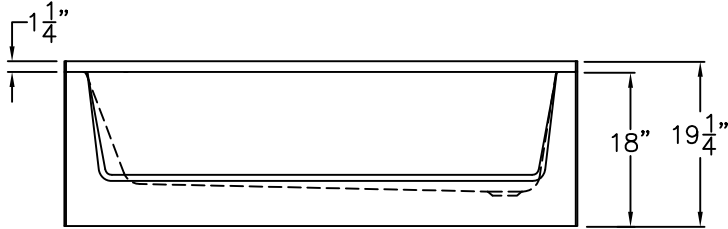


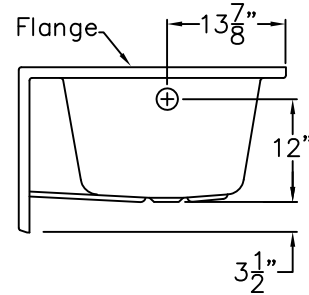
# LUXURY ACRYLIC SERIES

## SUBMITTAL DATA

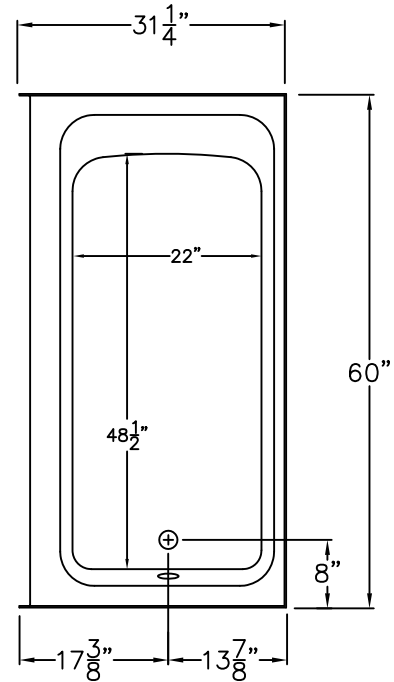
TOP VIEW



SIDE VIEW



FRONT VIEW



DUE TO THE NATURE OF THE MATERIALS  
DIMENSIONS MAY VARY ± 1/2"

### Applied Acrylic Tub Only Handed

This skirted tub enclosure shall be Praxis model G6030 TO L-R with left or right drain. Finished surface shall be of a sanitary grade applied acrylic.

The unit shall have outside dimensions of 60" x 31 1/4" x 19 1/4". The one piece bathtub shall meet IAPMOZ124-2011, CSA B45.5, and Home Innovation Research Lab.

The enclosure shall be equipped with the following accessories:

1. Applied Acrylic Finish
2. Left Or Right Drain Location
3. Slip Resistant Bottom
4. 3 1/2" Above Floor Rough-In
5. Skirted Design

<b>Job Name:</b>		<b>PRAXIS</b>	
<b>Model No.:</b>		<b>Drawing#:</b> G6030 TO-LR	
<b>Approved by:</b>	<b>Date Approved:</b>	<b>Date:</b> 2-13-17	<b>Revised:</b> 9-5-18
<b>Rep.:</b>	<b>Wholesaler:</b>	<b>Quote No.:</b>	

PRAXIS INDUSTRIES, LLC.  
435 INDUSTRIAL ROAD, SAVANNAH, TN 38372  
1 (800) 326-5489 - FAX (888) 246-0466